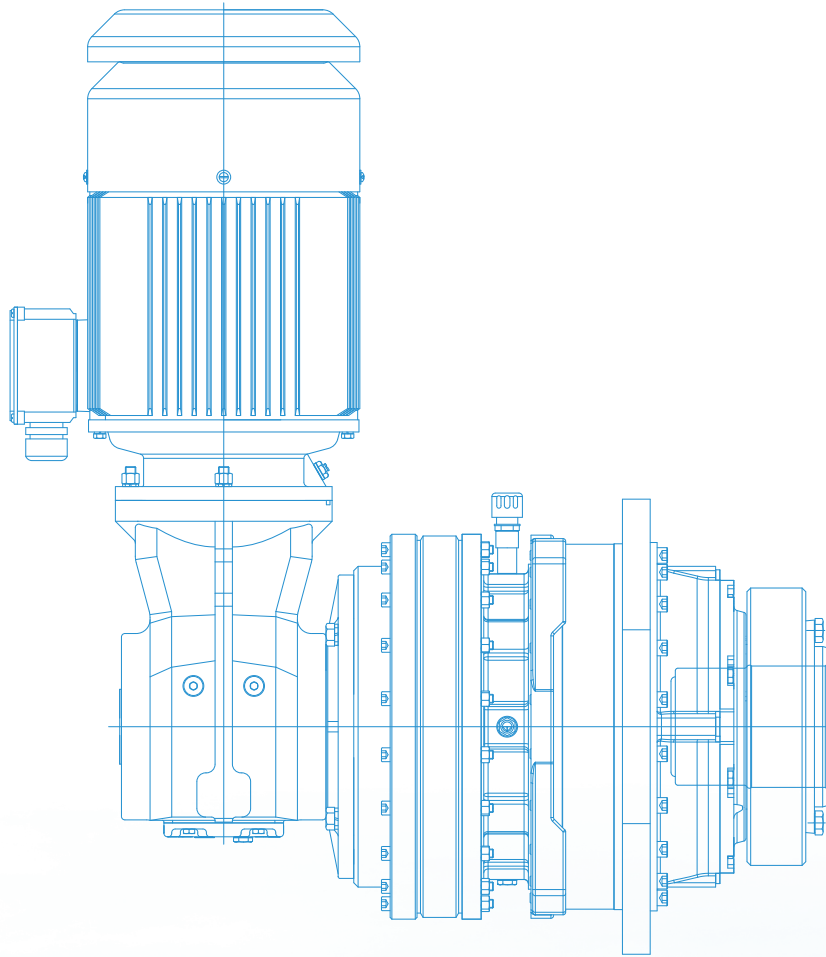


PK Planetary Gearmotor for Cooling Roll Crusher

Modified date 08/2021



1	Summary	2
2	Type Designation	3
3	Selection Table	4
4	Outline Dimensions	6
5	Lubrication Specifcation	9



1 Summary

The grate cooler is the main equipment for the cement clinker production line firing system. It not only cools, rolls and transports the hot clinker, but also is an important technical equipment of heat recovery in the cement clinker calcination system and a key equipment that directly affects the operating rate of rotary kiln.

PK special planetary gear motor is a driving product specially developed for the cooling roll crusher, which has the following characteristics:-

- Direct connection between motor and gearbox, compact structure and good performance;
- The direct-connected motor is a high-efficiency motor or an ultra-efficient motor, and the motor is equipped with a thermistor and a rainproof cover;

The parameters are as follows:

I Continuous working mode S1;

II Voltage and frequency: 380V/50Hz;

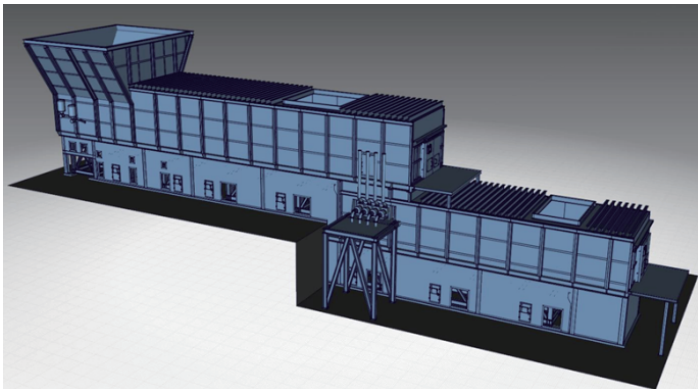
III Insulation level: F;

IV Protection level: IP55;

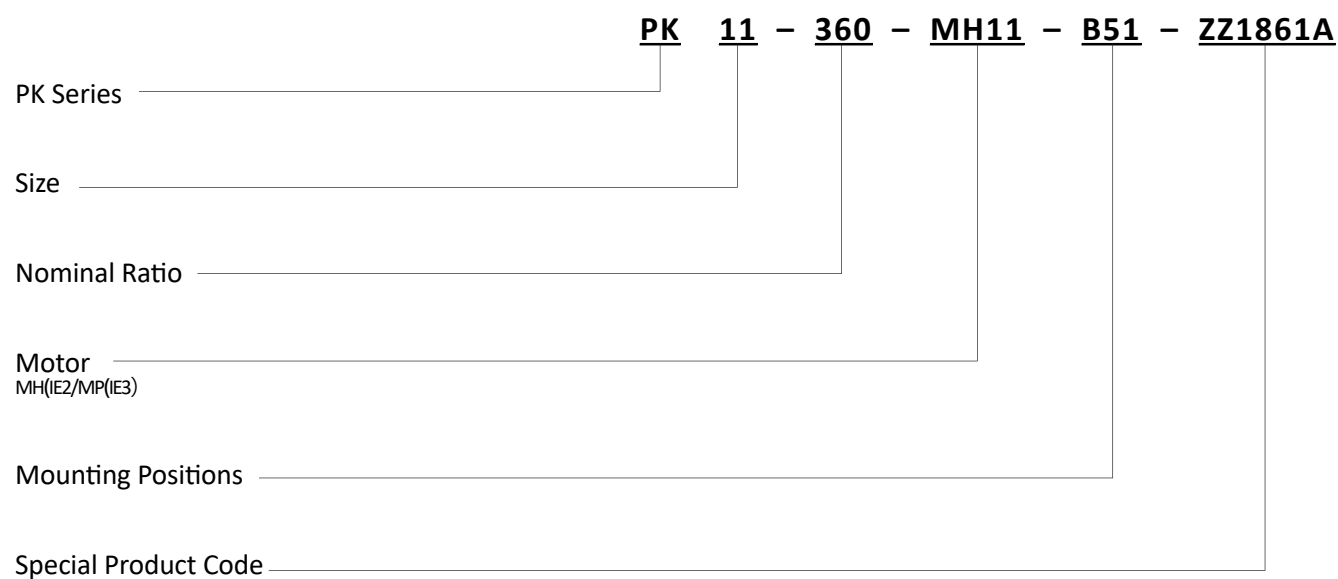
V Cooling method: IC411;

- The gears material is excellent alloy steel and processed by carburization and quenching, and all gears are grinded.
- The output adopts fluorine rubber radial skeleton seals, the standard structure is double seals, high sealing reliability;
- Highly modular design, volume production is more economical.

Note: It is recommended that the strength grade of connecting bolts of torque arm and gearbox output flange should not be lower than 10.9;



2 Type designation



PK

3 Selection table

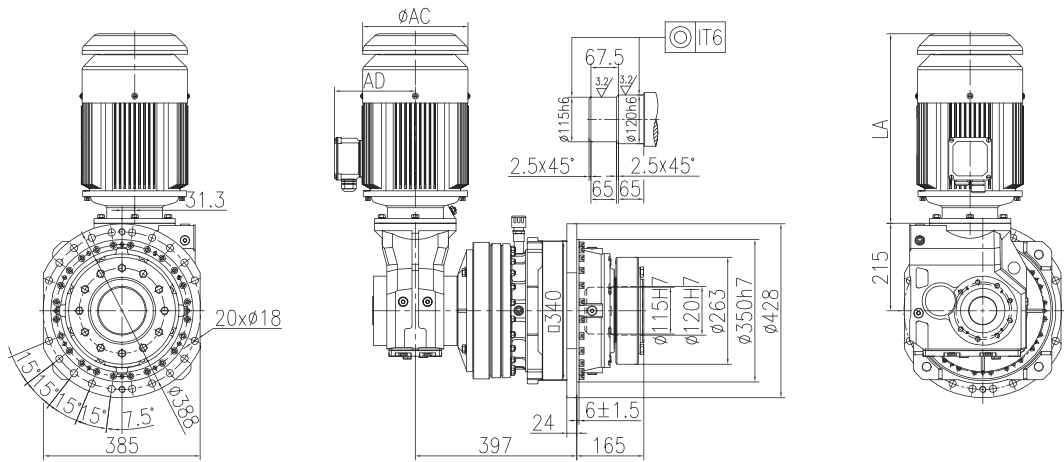
P _M kW	n ₂ r/min	T ₂ N·m	i _{ex}	T _{2N} N·m	S _F	P Series Planetary Gearbox	K Helical-Bevel Gearmotor	PK Order Type	Weight Kg	
4	3.74	9008	386.16	22000	2.44	P2NA09-31.5-B5-ZZ1861A	KF77A-12.5-MH4+E30+E80+E72-B52-180°-ZZ1861A	PK09-400-MH4-B51-ZZ1861A	286	
	3.77	8974	386.16	22000	2.45	P2NA09-31.5-B5-ZZ1861A	KF77A-12.5-MP4+E30+E80+E72-B52-180°-ZZ1861A	PK09-400-MP4-B51-ZZ1861A	290	
	4.15	8116	347.92	22000	2.71	P2NA09-28-B5-ZZ1861A	KF77A-12.5-MH4+E30+E80+E72-B52-180°-ZZ1861A	PK09-360-MH4-B51-ZZ1861A	286	
	4.18	8085	347.92	22000	2.72	P2NA09-28-B5-ZZ1861A	KF77A-12.5-MP4+E30+E80+E72-B52-180°-ZZ1861A	PK09-360-MP4-B51-ZZ1861A	290	
	4.31	7820	335.22	22000	2.81	P2NA09-40-B5-ZZ1861A	KF77A-8.1-MH4+E30+E80+E72-B52-180°-ZZ1861A	PK09-320-MH4-B51-ZZ1861A	286	
	4.34	7790	335.22	22000	2.82	P2NA09-40-B5-ZZ1861A	KF77A-8.1-MP4+E30+E80+E72-B52-180°-ZZ1861A	PK09-320-MP4-B51-ZZ1861A	290	
5.5	3.77	12318	386.16	31000	2.52	P2NA10-31.5-B5-ZZ1861A	KF77A-12.5-MH5.5+E30+E80+E72-B52-180°-ZZ1861A	PK10-400-MH5.5-B51-ZZ1861A	348	
	3.79	12249	386.16	31000	2.53	P2NA10-31.5-B5-ZZ1861A	KF77A-12.5-MP5.5+E30+E80+E72-B52-180°-ZZ1861A	PK10-400-MP5.5-B51-ZZ1861A	358	
	3.77	12318	386.16	22000	1.79	P2NA09-31.5-B5-ZZ1861A	KF77A-12.5-MH5.5+E30+E80+E72-B52-180°-ZZ1861A	PK09-400-MH5.5-B51-ZZ1861A	301	
	3.79	12249	386.16	22000	1.80	P2NA09-31.5-B5-ZZ1861A	KF77A-12.5-MP5.5+E30+E80+E72-B52-180°-ZZ1861A	PK09-400-MP5.5-B51-ZZ1861A	311	
	4.18	11098	347.92	22000	1.98	P2NA09-28-B5-ZZ1861A	KF77A-12.5-MH5.5+E30+E80+E72-B52-180°-ZZ1861A	PK09-360-MH5.5-B51-ZZ1861A	301	
	4.21	11036	347.92	22000	1.99	P2NA09-28-B5-ZZ1861A	KF77A-12.5-MP5.5+E30+E80+E72-B52-180°-ZZ1861A	PK09-360-MP5.5-B51-ZZ1861A	311	
	4.34	10693	335.22	22000	2.06	P2NA09-40-B5-ZZ1861A	KF77A-8.1-MH5.5+E30+E80+E72-B52-180°-ZZ1861A	PK09-320-MH5.5-B51-ZZ1861A	301	
	4.37	10633	335.22	22000	2.07	P2NA09-40-B5-ZZ1861A	KF77A-8.1-MP5.5+E30+E80+E72-B52-180°-ZZ1861A	PK09-320-MP5.5-B51-ZZ1861A	311	
	5.03	10446	289.35	22000	2.11	P2NA09-35.5-B5-ZZ1861A	KF77A-8.1-MH5.5+E30+E80+E72-B52-180°-ZZ1861A	PK09-280-MH5.5-B51-ZZ1861A	301	
	5.06	10388	289.35	22000	2.12	P2NA09-35.5-B5-ZZ1861A	KF77A-8.1-MP5.5+E30+E80+E72-B52-180°-ZZ1861A	PK09-280-MP5.5-B51-ZZ1861A	311	
	5.68	8165	255.99	22000	2.69	P2NA09-31.5-B5-ZZ1861A	KF77A-8.1-MH5.5+E30+E80+E72-B52-180°-ZZ1861A	PK09-250-MH5.5-B51-ZZ1861A	301	
	5.72	8120	255.99	22000	2.71	P2NA09-31.5-B5-ZZ1861A	KF77A-8.1-MP5.5+E30+E80+E72-B52-180°-ZZ1861A	PK09-250-MP5.5-B51-ZZ1861A	311	
	6.31	7357	230.64	22000	2.99	P2NA09-28-B5-ZZ1861A	KF77A-8.1-MH5.5+E30+E80+E72-B52-180°-ZZ1861A	PK09-225-MH5.5-B51-ZZ1861A	301	
	6.35	7316	230.64	22000	3.01	P2NA09-28-B5-ZZ1861A	KF77A-8.1-MP5.5+E30+E80+E72-B52-180°-ZZ1861A	PK09-225-MP5.5-B51-ZZ1861A	311	
	7.5	3.67	17230	396.33	42000	2.44	P2NA11-31.5-B5-ZZ1861A	KF87A-12.5-MH7.5+E30+E80+E72-B52-180°-ZZ1861A	PK11-400-MH7.5-B51-ZZ1861A	528
		3.70	17125	396.33	42000	2.45	P2NA11-31.5-B5-ZZ1861A	KF87A-12.5-MP7.5+E30+E80+E72-B52-180°-ZZ1861A	PK11-400-MP7.5-B51-ZZ1861A	536
3.77		16788	386.16	31000	1.85	P2NA10-31.5-B5-ZZ1861A	KF77A-12.5-MH7.5+E30+E80+E72-B52-180°-ZZ1861A	PK10-400-MH7.5-B51-ZZ1861A	361	
3.79		16685	386.16	31000	1.86	P2NA10-31.5-B5-ZZ1861A	KF77A-12.5-MP7.5+E30+E80+E72-B52-180°-ZZ1861A	PK10-400-MP7.5-B51-ZZ1861A	369	
4.18		15125	347.92	31000	2.05	P2NA10-28-B5-ZZ1861A	KF77A-12.5-MH7.5+E30+E80+E72-B52-180°-ZZ1861A	PK10-360-MH7.5-B51-ZZ1861A	361	
4.21		15033	347.92	31000	2.06	P2NA10-28-B5-ZZ1861A	KF77A-12.5-MP7.5+E30+E80+E72-B52-180°-ZZ1861A	PK10-360-MP7.5-B51-ZZ1861A	369	
4.34		16493	335.22	31000	1.88	P2NA10-40-B5-ZZ1861A	KF77A-8.1-MH7.5+E30+E80+E72-B52-180°-ZZ1861A	PK10-320-MH7.5-B51-ZZ1861A	361	
4.37		16392	335.22	31000	1.89	P2NA10-40-B5-ZZ1861A	KF77A-8.1-MP7.5+E30+E80+E72-B52-180°-ZZ1861A	PK10-320-MP7.5-B51-ZZ1861A	369	
5.03		12579	289.35	31000	2.46	P2NA10-35.5-B5-ZZ1861A	KF77A-8.1-MH7.5+E30+E80+E72-B52-180°-ZZ1861A	PK10-280-MH7.5-B51-ZZ1861A	361	
5.06		12502	289.35	31000	2.48	P2NA10-35.5-B5-ZZ1861A	KF77A-8.1-MP7.5+E30+E80+E72-B52-180°-ZZ1861A	PK10-280-MP7.5-B51-ZZ1861A	369	
5.03		12579	289.35	22000	1.75	P2NA09-35.5-B5-ZZ1861A	KF77A-8.1-MH7.5+E30+E80+E72-B52-180°-ZZ1861A	PK09-280-MH7.5-B51-ZZ1861A	314	
5.06		12502	289.35	22000	1.76	P2NA09-35.5-B5-ZZ1861A	KF77A-8.1-MP7.5+E30+E80+E72-B52-180°-ZZ1861A	PK09-280-MP7.5-B51-ZZ1861A	322	
5.68		11129	255.99	22000	1.98	P2NA09-31.5-B5-ZZ1861A	KF77A-8.1-MH7.5+E30+E80+E72-B52-180°-ZZ1861A	PK09-250-MH7.5-B51-ZZ1861A	314	
5.72		11061	255.99	22000	1.99	P2NA09-31.5-B5-ZZ1861A	KF77A-8.1-MP7.5+E30+E80+E72-B52-180°-ZZ1861A	PK09-250-MP7.5-B51-ZZ1861A	322	
6.31		10026	230.64	22000	2.19	P2NA09-28-B5-ZZ1861A	KF77A-8.1-MH7.5+E30+E80+E72-B52-180°-ZZ1861A	PK09-225-MH7.5-B51-ZZ1861A	314	
6.35		9965	230.64	22000	2.21	P2NA09-28-B5-ZZ1861A	KF77A-8.1-MP7.5+E30+E80+E72-B52-180°-ZZ1861A	PK09-225-MP7.5-B51-ZZ1861A	322	
11		3.82	24344	382.65	60000	2.46	P2NA12-31.5-B5-ZZ1861A	KF87A-12.5-MH11+E30+E80+E72-B52-180°-ZZ1861A	PK12-400-MH11-B51-ZZ1861A	675
		3.85	24073	382.65	60000	2.49	P2NA12-31.5-B5-ZZ1861A	KF87A-12.5-MP11+E30+E80+E72-B52-180°-ZZ1861A	PK12-400-MP11-B51-ZZ1861A	683
	4.07	22811	358.56	42000	1.84	P2NA11-28-B5-ZZ1861A	KF87A-12.5-MH11+E30+E80+E72-B52-180°-ZZ1861A	PK11-360-MH11-B51-ZZ1861A	528	
	4.11	22558	358.56	42000	1.86	P2NA11-28-B5-ZZ1861A	KF87A-12.5-MP11+E30+E80+E72-B52-180°-ZZ1861A	PK11-360-MP11-B51-ZZ1861A	536	
	4.22	22025	346.2	60000	2.72	P2NA12-28-B5-ZZ1861A	KF87A-12.5-MH11+E30+E80+E72-B52-180°-ZZ1861A	PK12-360-MH11-B51-ZZ1861A	675	
	4.26	21780	346.2	60000	2.75	P2NA12-28-B5-ZZ1861A	KF87A-12.5-MP11+E30+E80+E72-B52-180°-ZZ1861A	PK12-360-MP11-B51-ZZ1861A	683	
	4.52	20537	322.82	42000	2.05	P2NA11-40-B5-ZZ1861A	KF87A-8.1-MH11+E30+E80+E72-B52-180°-ZZ1861A	PK11-320-MH11-B51-ZZ1861A	528	
	4.57	20309	322.82	42000	2.07	P2NA11-40-B5-ZZ1861A	KF87A-8.1-MP11+E30+E80+E72-B52-180°-ZZ1861A	PK11-320-MP11-B51-ZZ1861A	536	
	5.20	17872	280.93	42000	2.35	P2NA11-35.5-B5-ZZ1861A	KF87A-8.1-MH11+E30+E80+E72-B52-180°-ZZ1861A	PK11-280-MH11-B51-ZZ1861A	528	
	5.25	17674	280.93	42000	2.38	P2NA11-35.5-B5-ZZ1861A	KF87A-8.1-MP11+E30+E80+E72-B52-180°-ZZ1861A	PK11-280-MP11-B51-ZZ1861A	536	
	5.84	15903	249.97	42000	2.64	P2NA11-31.5-B5-ZZ1861A	KF87A-8.1-MH11+E30+E80+E72-B52-180°-ZZ1861A	PK11-250-MH11-B51-ZZ1861A	528	
	5.90	15726	249.97	42000	2.67	P2NA11-31.5-B5-ZZ1861A	KF87A-8.1-MP11+E30+E80+E72-B52-180°-ZZ1861A	PK11-250-MP11-B51-ZZ1861A	536	
	6.46	14387	226.15	42000	2.92	P2NA11-28-B5-ZZ1861A	KF87A-8.1-MH11+E30+E80+E72-B52-180°-ZZ1861A	PK11-225-MH11-B51-ZZ1861A	528	
	6.52	14227	226.15	42000	2.95	P2NA11-28-B5-ZZ1861A	KF87A-8.1-MP11+E30+E80+E72-B52-180°-ZZ1861A	PK11-225-MP11-B51-ZZ1861A	536	

P_m kW	n_2 r/min	T_2 N·m	i_{ex}	T_{2N} N·m	S_F	P Series Planetary Gearbox	K Helical-Bevel Gearmotor	PK Order Type	Weight Kg
15	3.82	33169	382.65	60000	1.81	P2NA12-31.5-B5-ZZ1861A	KF87A-12.5-MH15+E30+E80+E72-B52-180°-ZZ1861A	PK12-400-MH15-B51-ZZ1861A	693
	3.85	32831	382.65	60000	1.83	P2NA12-31.5-B5-ZZ1861A	KF87A-12.5-MP15+E30+E80+E72-B52-180°-ZZ1861A	PK12-400-MP15-B51-ZZ1861A	715
	4.22	30009	346.20	60000	2.00	P2NA12-28-B5-ZZ1861A	KF87A-12.5-MH15+E30+E80+E72-B52-180°-ZZ1861A	PK12-360-MH15-B51-ZZ1861A	693
	4.26	29703	346.20	60000	2.02	P2NA12-28-B5-ZZ1861A	KF87A-12.5-MP15+E30+E80+E72-B52-180°-ZZ1861A	PK12-360-MP15-B51-ZZ1861A	715
	4.68	27017	311.69	60000	2.22	P2NA12-40-B5-ZZ1861A	KF87A-8.1-MH15+E30+E80+E72-B52-180°-ZZ1861A	PK12-320-MH15-B51-ZZ1861A	693
	4.73	26742	311.69	60000	2.24	P2NA12-40-B5-ZZ1861A	KF87A-8.1-MP15+E30+E80+E72-B52-180°-ZZ1861A	PK12-320-MP15-B51-ZZ1861A	715
	5.20	24351	280.93	42000	1.72	P2NA11-35.5-B5-ZZ1861A	KF87A-8.1-MH15+E30+E80+E72-B52-180°-ZZ1861A	PK11-280-MH15-B51-ZZ1861A	587
	5.25	24103	280.93	42000	1.74	P2NA11-35.5-B5-ZZ1861A	KF87A-8.1-MP15+E30+E80+E72-B52-180°-ZZ1861A	PK11-280-MP15-B51-ZZ1861A	609
	5.38	23512	271.24	60000	2.55	P2NA12-35.5-B5-ZZ1861A	KF87A-8.1-MH15+E30+E80+E72-B52-180°-ZZ1861A	PK12-280-MH15-B51-ZZ1861A	693
	5.44	23272	271.24	60000	2.58	P2NA12-35.5-B5-ZZ1861A	KF87A-8.1-MP15+E30+E80+E72-B52-180°-ZZ1861A	PK12-280-MP15-B51-ZZ1861A	715
	5.84	21668	249.97	42000	1.94	P2NA11-31.5-B5-ZZ1861A	KF87A-8.1-MH15+E30+E80+E72-B52-180°-ZZ1861A	PK11-250-MH15-B51-ZZ1861A	587
	5.90	21447	249.97	42000	1.96	P2NA11-31.5-B5-ZZ1861A	KF87A-8.1-MP15+E30+E80+E72-B52-180°-ZZ1861A	PK11-250-MP15-B51-ZZ1861A	609
	6.05	20920	241.34	60000	2.87	P2NA12-31.5-B5-ZZ1861A	KF87A-8.1-MH15+E30+E80+E72-B52-180°-ZZ1861A	PK12-250-MH15-B51-ZZ1861A	693
	6.11	20706	241.34	60000	2.90	P2NA12-31.5-B5-ZZ1861A	KF87A-8.1-MP15+E30+E80+E72-B52-180°-ZZ1861A	PK12-250-MP15-B51-ZZ1861A	715
	6.46	19603	226.15	42000	2.14	P2NA11-28-B5-ZZ1861A	KF87A-8.1-MH15+E30+E80+E72-B52-180°-ZZ1861A	PK11-225-MH15-B51-ZZ1861A	587
6.52	19403	226.15	42000	2.16	P2NA11-28-B5-ZZ1861A	KF87A-8.1-MP15+E30+E80+E72-B52-180°-ZZ1861A	PK11-225-MP15-B51-ZZ1861A	609	
18.5	3.85	40576	382.04	83000	2.05	P2NA13-31.5-B5-ZZ1861A	KF97A-12.5-MH18.5+E30+E80+E72-B52-180°-ZZ1861A	PK13-400-MH18.5-B51-ZZ1861A	971
	3.86	40441	382.04	83000	2.05	P2NA13-31.5-B5-ZZ1861A	KF97A-12.5-MP18.5+E30+E80+E72-B52-180°-ZZ1861A	PK13-400-MP18.5-B51-ZZ1861A	989
	4.27	36558	344.21	83000	2.27	P2NA13-28-B5-ZZ1861A	KF97A-12.5-MH18.5+E30+E80+E72-B52-180°-ZZ1861A	PK13-360-MH18.5-B51-ZZ1861A	971
	4.29	36436	344.21	83000	2.28	P2NA13-28-B5-ZZ1861A	KF97A-12.5-MP18.5+E30+E80+E72-B52-180°-ZZ1861A	PK13-360-MP18.5-B51-ZZ1861A	989
	4.51	34580	325.59	83000	2.40	P2NA13-40-B5-ZZ1861A	KF97A-8.1-MH18.5+E30+E80+E72-B52-180°-ZZ1861A	PK13-320-MH18.5-B51-ZZ1861A	971
	4.53	34465	325.59	83000	2.41	P2NA13-40-B5-ZZ1861A	KF97A-8.1-MP18.5+E30+E80+E72-B52-180°-ZZ1861A	PK13-320-MP18.5-B51-ZZ1861A	989
22	3.85	48239	382.04	117000	2.43	P2NA14-31.5-B5-ZZ1861A	KF97A-12.5-MH22+E30+E80+E72-B52-180°-ZZ1861A	PK14-400-MH22-B51-ZZ1861A	1183
	3.86	48071	382.04	117000	2.43	P2NA14-31.5-B5-ZZ1861A	KF97A-12.5-MP22+E30+E80+E72-B52-180°-ZZ1861A	PK14-400-MP22-B51-ZZ1861A	1199
	3.85	48239	382.04	83000	1.72	P2NA13-31.5-B5-ZZ1861A	KF97A-12.5-MH22+E30+E80+E72-B52-180°-ZZ1861A	PK13-400-MH22-B51-ZZ1861A	993
	3.86	48071	382.04	83000	1.73	P2NA13-31.5-B5-ZZ1861A	KF97A-12.5-MP22+E30+E80+E72-B52-180°-ZZ1861A	PK13-400-MP22-B51-ZZ1861A	1009
	4.27	43462	344.21	117000	2.69	P2NA14-28-B5-ZZ1861A	KF97A-12.5-MH22+E30+E80+E72-B52-180°-ZZ1861A	PK14-360-MH22-B51-ZZ1861A	1183
	4.29	43310	344.21	117000	2.70	P2NA14-28-B5-ZZ1861A	KF97A-12.5-MP22+E30+E80+E72-B52-180°-ZZ1861A	PK14-360-MP22-B51-ZZ1861A	1199
	4.27	43462	344.21	83000	1.91	P2NA13-28-B5-ZZ1861A	KF97A-12.5-MH22+E30+E80+E72-B52-180°-ZZ1861A	PK13-360-MH22-B51-ZZ1861A	993
	4.29	43310	344.21	83000	1.92	P2NA13-28-B5-ZZ1861A	KF97A-12.5-MP22+E30+E80+E72-B52-180°-ZZ1861A	PK13-360-MP22-B51-ZZ1861A	1009
	4.51	40967	325.59	83000	2.03	P2NA13-40-B5-ZZ1861A	KF97A-8.1-MH22+E30+E80+E72-B52-180°-ZZ1861A	PK13-320-MH22-B51-ZZ1861A	993
	4.53	40967	325.59	83000	2.03	P2NA13-40-B5-ZZ1861A	KF97A-8.1-MP22+E30+E80+E72-B52-180°-ZZ1861A	PK13-320-MP22-B51-ZZ1861A	1009
	5.23	35485	281.03	83000	2.34	P2NA13-35.5-B5-ZZ1861A	KF97A-8.1-MH22+E30+E80+E72-B52-180°-ZZ1861A	PK13-280-MH22-B51-ZZ1861A	993
	5.25	36361	281.03	83000	2.28	P2NA13-35.5-B5-ZZ1861A	KF97A-8.1-MP22+E30+E80+E72-B52-180°-ZZ1861A	PK13-280-MP22-B51-ZZ1861A	1009
	5.91	31394	248.63	83000	2.64	P2NA13-31.5-B5-ZZ1861A	KF97A-8.1-MH22+E30+E80+E72-B52-180°-ZZ1861A	PK13-250-MH22-B51-ZZ1861A	993
	5.93	31284	248.63	83000	2.65	P2NA13-31.5-B5-ZZ1861A	KF97A-8.1-MP22+E30+E80+E72-B52-180°-ZZ1861A	PK13-250-MP22-B51-ZZ1861A	1009
	6.56	28285	224.01	83000	2.93	P2NA13-28-B5-ZZ1861A	KF97A-8.1-MH22+E30+E80+E72-B52-180°-ZZ1861A	PK13-225-MH22-B51-ZZ1861A	993
6.58	28186	224.01	83000	2.94	P2NA13-28-B5-ZZ1861A	KF97A-8.1-MP22+E30+E80+E72-B52-180°-ZZ1861A	PK13-225-MP22-B51-ZZ1861A	1009	
30	3.85	65793	382.04	117000	1.78	P2NA14-31.5-B5-ZZ1861A	KF97A-12.5-MH30+E30+E80+E72-B52-180°-ZZ1861A	PK14-400-MH30-B51-ZZ1861A	1239
	3.86	65557	382.04	117000	1.78	P2NA14-31.5-B5-ZZ1861A	KF97A-12.5-MP30+E30+E80+E72-B52-180°-ZZ1861A	PK14-400-MP30-B51-ZZ1861A	1259
	4.27	59277	344.21	117000	1.97	P2NA14-28-B5-ZZ1861A	KF97A-12.5-MH30+E30+E80+E72-B52-180°-ZZ1861A	PK14-360-MH30-B51-ZZ1861A	1239
	4.29	59064	344.21	117000	1.98	P2NA14-28-B5-ZZ1861A	KF97A-12.5-MP30+E30+E80+E72-B52-180°-ZZ1861A	PK14-360-MP30-B51-ZZ1861A	1259
	4.51	56071	325.59	117000	2.09	P2NA14-40-B5-ZZ1861A	KF97A-8.1-MH30+E30+E80+E72-B52-180°-ZZ1861A	PK14-320-MH30-B51-ZZ1861A	1239
	4.53	55870	325.59	117000	2.09	P2NA14-40-B5-ZZ1861A	KF97A-8.1-MP30+E30+E80+E72-B52-180°-ZZ1861A	PK14-320-MP30-B51-ZZ1861A	1259
	5.23	48397	281.03	117000	2.42	P2NA14-35.5-B5-ZZ1861A	KF97A-8.1-MH30+E30+E80+E72-B52-180°-ZZ1861A	PK14-280-MH30-B51-ZZ1861A	1239
	5.25	48223	281.03	117000	2.43	P2NA14-35.5-B5-ZZ1861A	KF97A-8.1-MP30+E30+E80+E72-B52-180°-ZZ1861A	PK14-280-MP30-B51-ZZ1861A	1259
	5.23	48397	281.03	83000	1.71	P2NA13-35.5-B5-ZZ1861A	KF97A-8.1-MH30+E30+E80+E72-B52-180°-ZZ1861A	PK13-280-MH30-B51-ZZ1861A	1049
	5.25	48223	281.03	83000	1.72	P2NA13-35.5-B5-ZZ1861A	KF97A-8.1-MP30+E30+E80+E72-B52-180°-ZZ1861A	PK13-280-MP30-B51-ZZ1861A	1069
	5.91	42818	248.63	83000	1.94	P2NA13-31.5-B5-ZZ1861A	KF97A-8.1-MH30+E30+E80+E72-B52-180°-ZZ1861A	PK13-250-MH30-B51-ZZ1861A	1049
	5.93	42664	248.63	83000	1.95	P2NA13-31.5-B5-ZZ1861A	KF97A-8.1-MP30+E30+E80+E72-B52-180°-ZZ1861A	PK13-250-MP30-B51-ZZ1861A	1069
	6.56	38577	224.01	83000	2.15	P2NA13-28-B5-ZZ1861A	KF97A-8.1-MH30+E30+E80+E72-B52-180°-ZZ1861A	PK13-225-MH30-B51-ZZ1861A	1049
	6.58	38439	224.01	83000	2.16	P2NA13-28-B5-ZZ1861A	KF97A-8.1-MP30+E30+E80+E72-B52-180°-ZZ1861A	PK13-225-MP30-B51-ZZ1861A	1069

PK

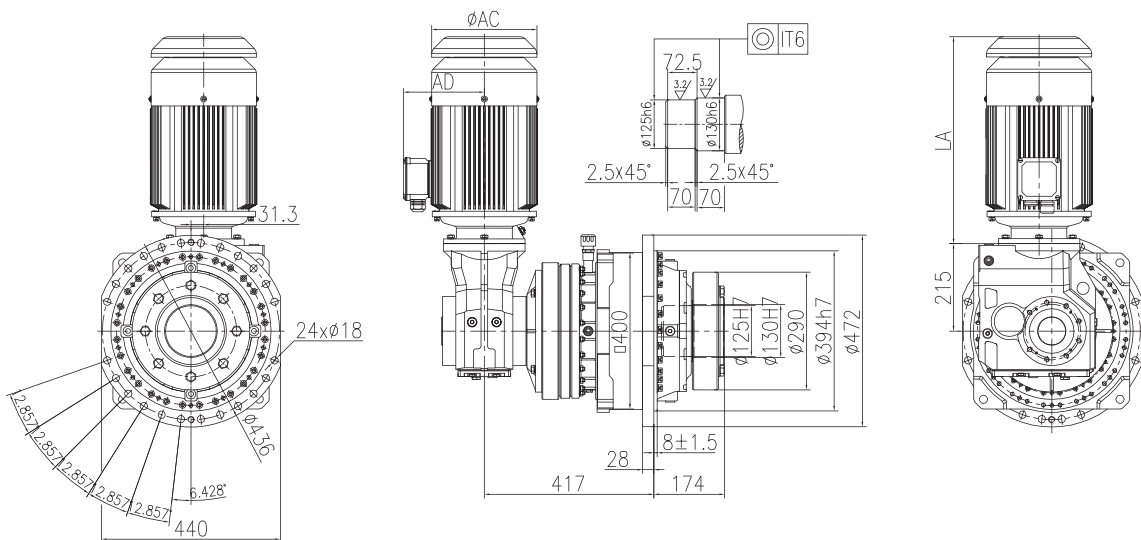
4 Outline dimensions

PK09



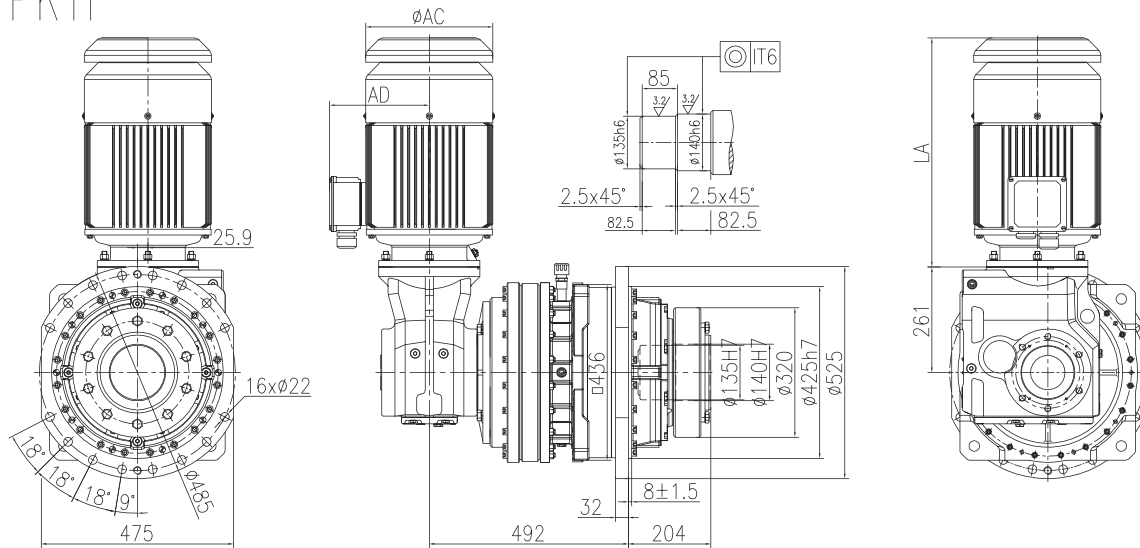
Motor	AC(mm)	AD(mm)	LA(mm)
MH4	220	178	496
MP4	220	178	496
MH5.5	259	199	466
MP5.5	259	199	509
MH7.5	259	199	509
MP7.5	259	199	547

PK10



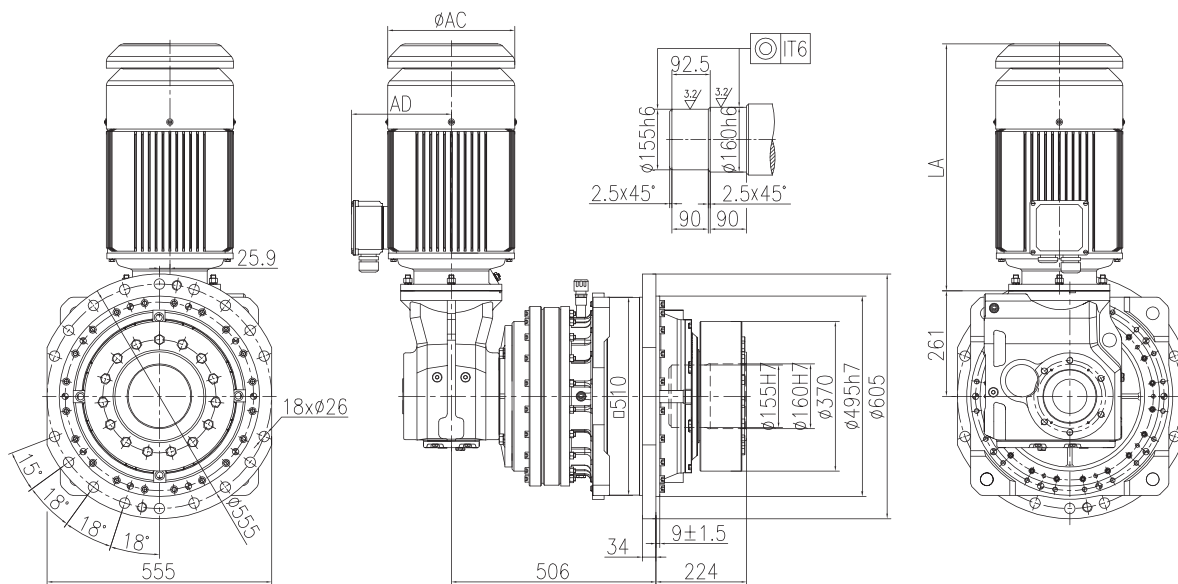
Motor	AC(mm)	AD(mm)	LA(mm)
MH5.5	259	199	466
MP5.5	259	199	509
MH7.5	259	199	509
MP7.5	259	199	547

PK11



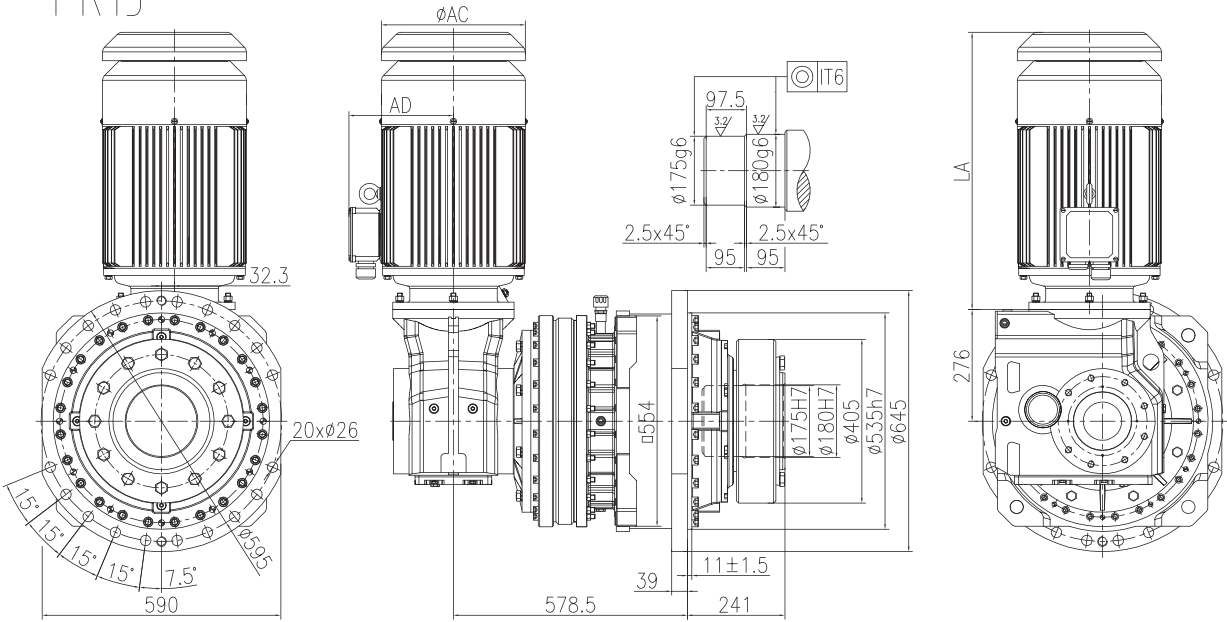
Motor	AC(mm)	AD(mm)	LA(mm)
MH7.5	259	199	501
MP7.5	259	199	539
MH11	314	247	566
MP11	314	247	610
MH15	314	247	610
MP15	314	247	640

PK12



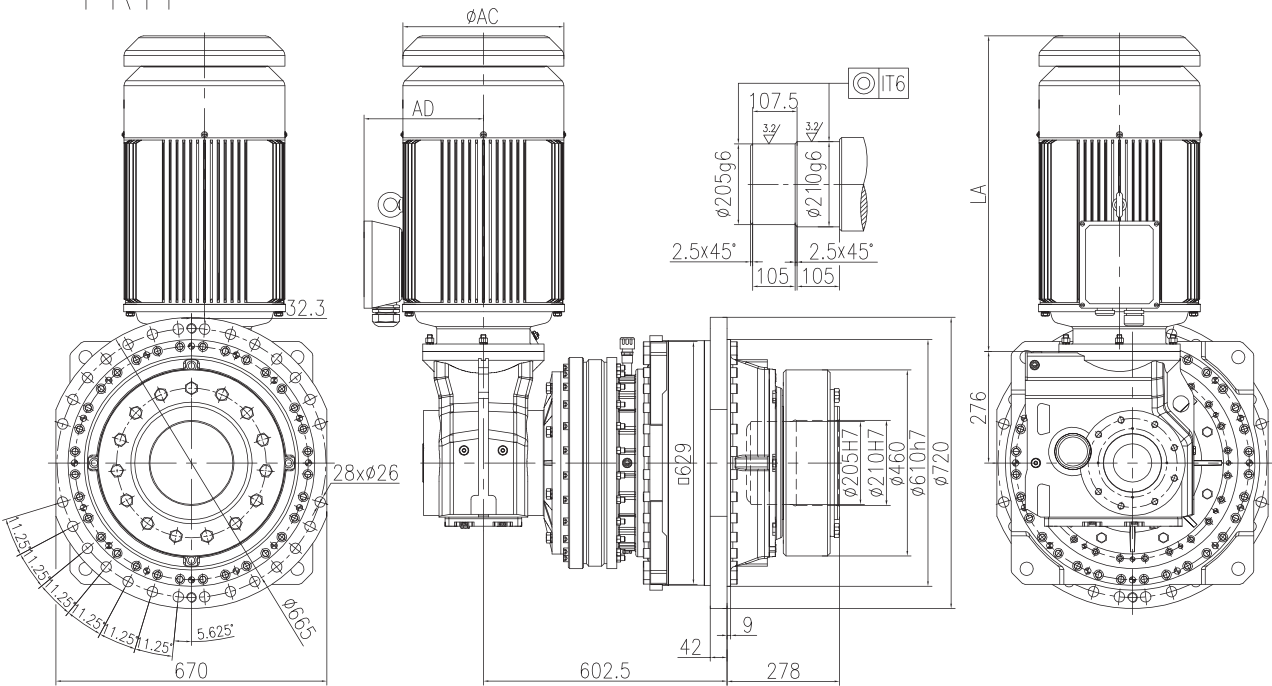
Motor	AC(mm)	AD(mm)	LA(mm)
MH11	314	247	566
MP11	314	247	610
MH15	314	247	610
MP15	314	247	640

PK13



Motor	AC(mm)	AD(mm)	LA(mm)
MH18.5	356	259	685
MP18.5	356	259	685
MH22	356	259	733
MP22	356	259	733
MH30	398	295	780
MP30	398	295	780

PK14



Motor	AC(mm)	AD(mm)	LA(mm)
MH22	356	259	733
MP22	356	259	733
MH30	398	295	780
MP30	398	295	780

PK

5 Lubrication specification

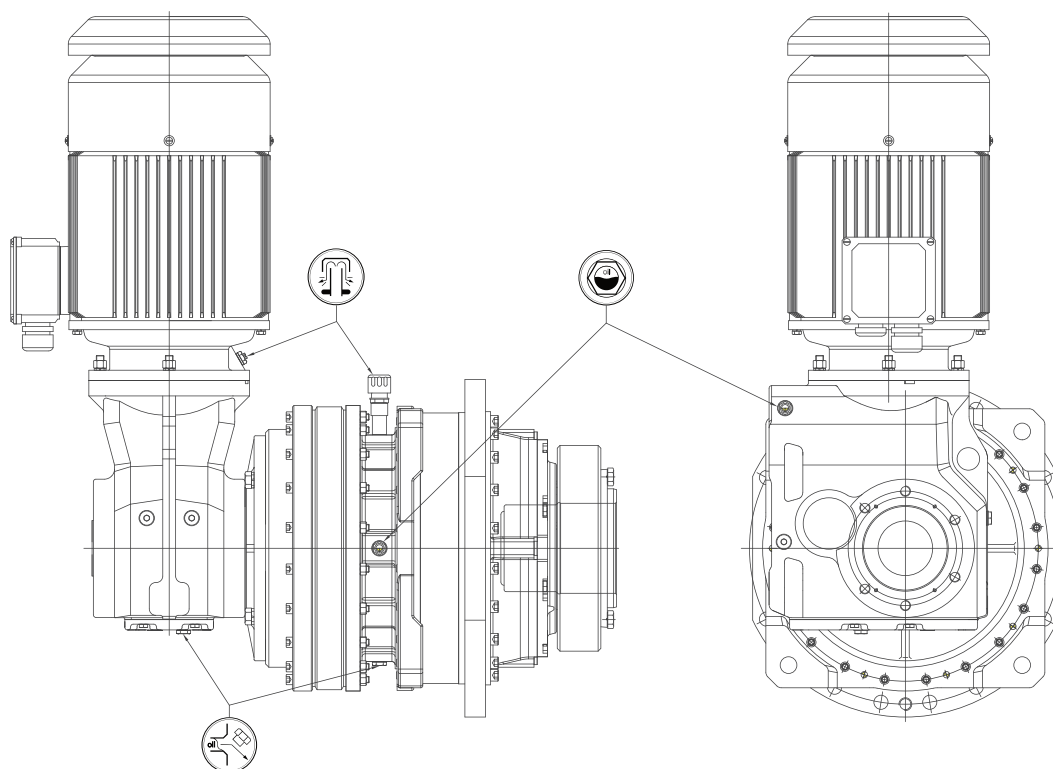
The gearbox has been tested before delivered, users should add lubrication oil before running. If not specified, the gearbox is shipped without oil. The actual oil value should be done as the oil glass level. Lubrication viscosity (heavy industrial gear oil) [VG320 and VG460]

Ambient temperature °C	-20°C – +40°C	+30°C – +50°C
Viscosity	VG320	VG460

Note:

1. The gearbox is lubricated by oil. Product series P and K oil paths are blocked by oil seal, need to be refueled separately.
2. Above table viscosity is only for the temperature under 40°C.
3. Ambient temperature below -10°C must use synthetic oil.
4. To make sure the long using life, we suggest to use synthetic oil.
5. If the ambient temperature is not in the range of the table, please consult TGE.

Oil level (L)						
Size Product Series	PK09	PK10	PK11	PK12	PK13	PK14
P	3	4	6	8	10	16
K	8.5	8.5	11.5	11.5	22	22



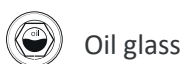
Note:

- The structure scheme, appearance diagram and other attached diagrams in sample and examples, there is no strict proportion requirement. (The unmarked dimension units are mm).
- We can only refer to the marked weight in the manual.

You must conform to the following instructions:

- To prevent accidents, all the rotation parts should be added with protective covers according to local safety regulations and laws.
- Before testing, users should read instruction manual carefully.
- Gearbox has been tested before delivered, users should add lubrication oil before running.
- We can only refer to the marked oil in the manual,
- Actual oil filling level should be the same with the mark on oil immersion lens.
- Lubrication oil viscosity should be selected according to working conditions and the temperature of local environment.
- Users can only use high quality lubrication oil.

Product Function Mark



Oil glass



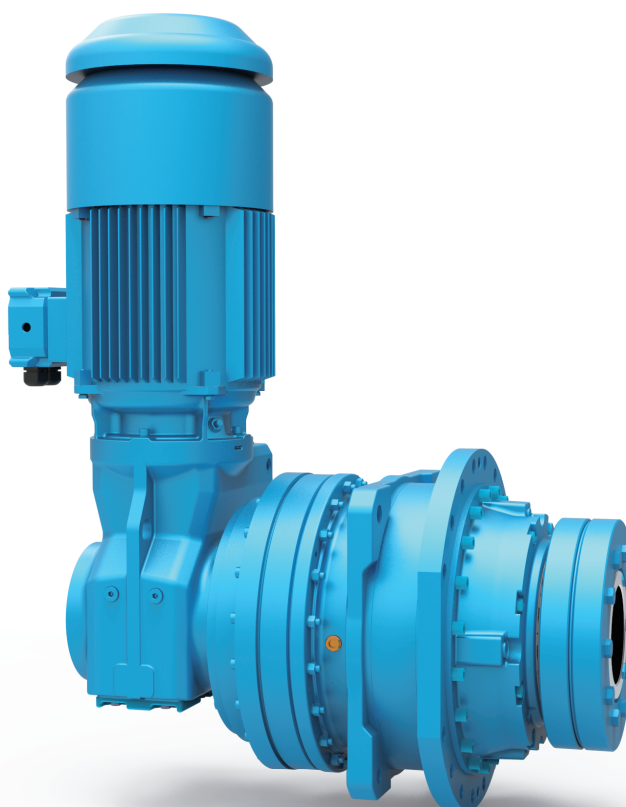
Breather



Oil filler



Oil drain





TGE Transmission s.r.o.

9. května 209,
268 01 Hořovice

Technical office Plzeň

Teslova 7b
301 00 Plzeň
info@tge.cz | www.tge.cz

Local dealer

